

GA6D45H

STANDARD MATERIALS AND CONSTRUCTION

- FRAME:** 18-GA. galvanized steel.
BLADE: 18-GA. galvanized steel, open to 45°.
AXLES: 1/2" dia. extruded aluminum "pin-lock" rod with "double-sealed" bearings.
CONSTRUCTION: Welded and/or riveted for maximum service.
LINKAGE: Concealed in one jamb out of airstream, up to 48" width.
SEALS: Stainless steel at jambs.
SCREEN: (when indicated, specify interior or exterior)
 1/2" sq. mesh, 19-GA. galvanized steel, .041".
FINISH: Mill.

OPTIONS

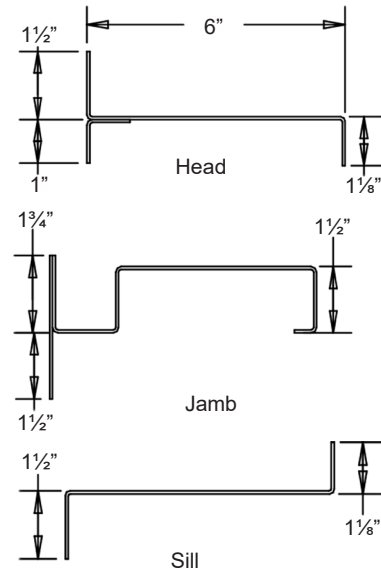
- Frames and Blades of other gauges
 Materials - 304 or 316 Stainless steel, Copper, Aluminum, etc.
 Neoprene blade edge seals
 Finishes - Enamels, Epoxies, etc.
 Screens - Insect screen 18/16 aluminum mesh, .011",
 -or- 1/2" flattened aluminum, .051",
 -or- 1/4" sq. mesh, 18-GA galvanized steel, .047",
 -or- 1/2" sq. mesh, 18-GA stainless steel, .047",
 And others.

NOTES

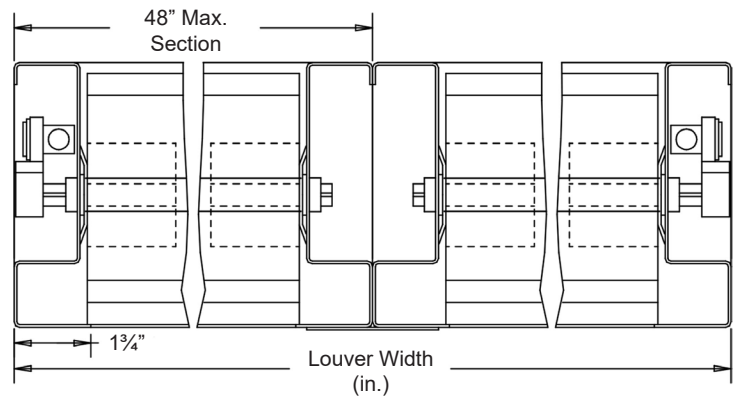
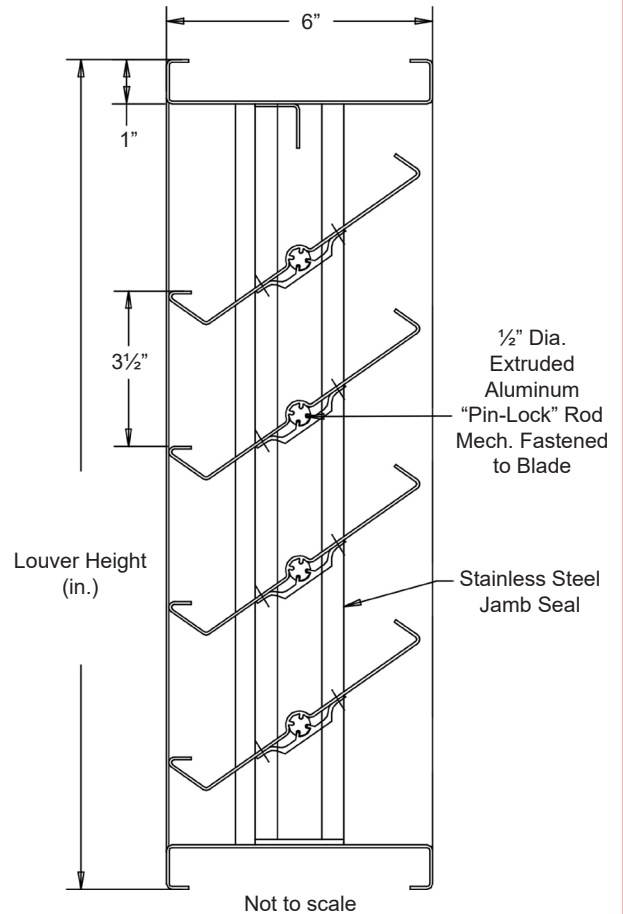
- 1/2" nominal deduction will be made to the opening size given.
- Approximate shipping weight is 8.0 lbs./sq.ft.

LOUVER SIZES

Min Panel	Max Single Panel
12"W x 12"H	48"W x 96"H



Flange Frame available



In the interest of product development, Airline Louvers reserves the right to make changes without notice.

Item #	Qty	Width	Height	Width	Height	Mullion	Type	Location			
		Opening Size		Louver Size			Screens		Job:		
Arch. / Eng. :						EDR:		ECN:		Job:	
Contractor:											
Project:						Date:		DWN:		DWG:	

1020 Prince Frederick Blvd. Suite 305 • Prince Frederick, MD 20687 • Phone: (570) 420-7079 • Fax: (570) 420-7078

GA6D45H

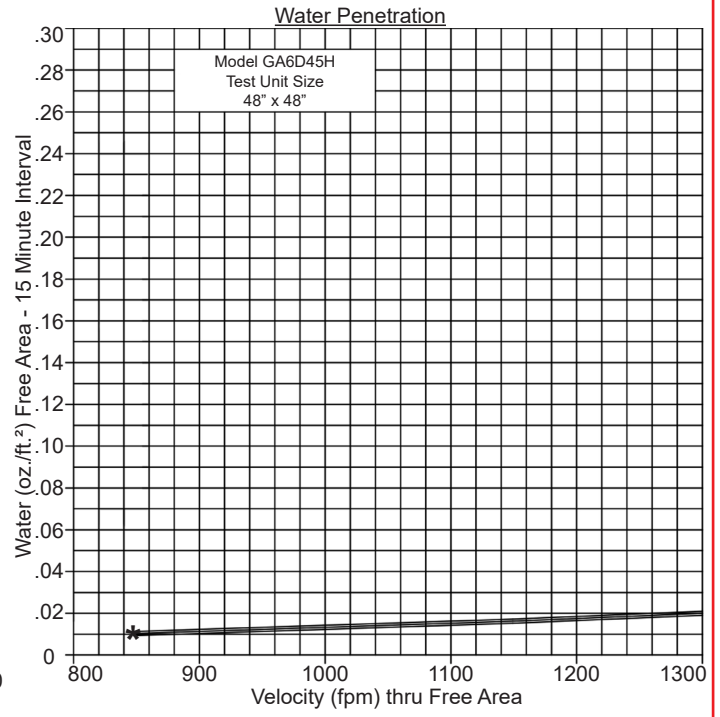
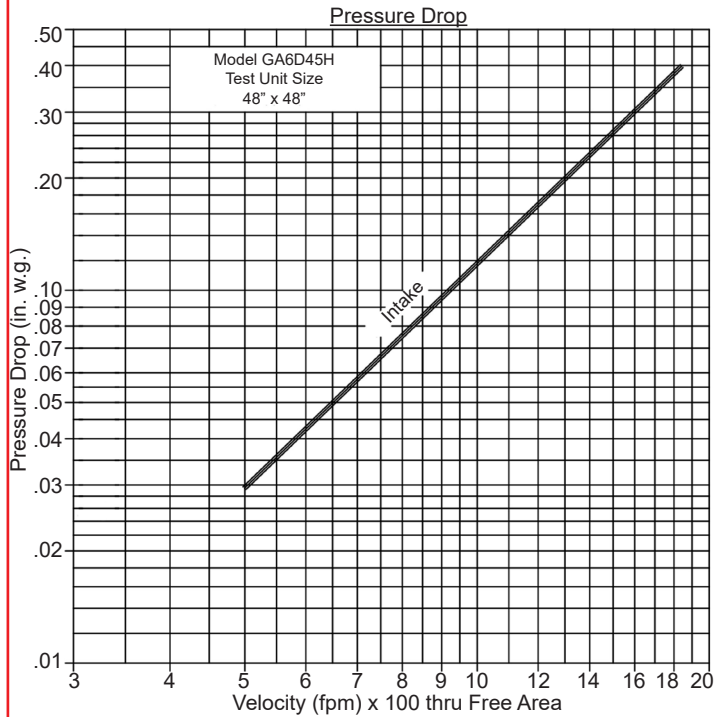
PERFORMANCE DATA

Pressure Drop: .18 in. w.g. at 1200 fpm

Free Area: 8.50 sq.ft. = 53% for 48"W x 48"H sample tested in accordance with AMCA Standard 500-L.

Beginning Point of Water Penetration: 859 (fpm)

Ratings do not include the effects of a screen.



859 (FPM) Beginning Point of Water Penetration.

Free Area (sq. ft.)

		Width (in.)								
		12"	18"	24"	30"	36"	42"	48"	54"	60"
Height (in.)	12"	.31	.51	.71	.91	1.10	1.30	1.50	1.66	1.89
	24"	.75	1.21	1.67	2.14	2.61	3.07	3.54	4.01	4.47
	36"	1.27	2.05	2.84	3.64	4.43	5.23	6.02	6.81	7.61
	48"	1.73	2.90	4.02	5.14	6.26	7.38	8.50	9.62	10.74
	60"	2.23	3.59	4.98	6.37	7.76	9.15	10.54	11.93	13.32
	72"	2.72	4.44	6.15	7.87	9.58	11.30	13.02	14.74	16.46
	84"	3.19	5.13	7.12	9.10	11.09	13.08	15.06	17.05	19.04
96"	3.71	5.98	8.29	10.60	12.92	15.23	17.54	19.86	22.17	